

# JELD WEN®

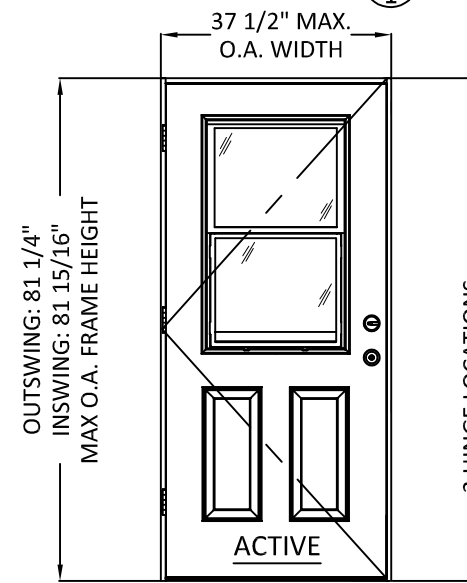
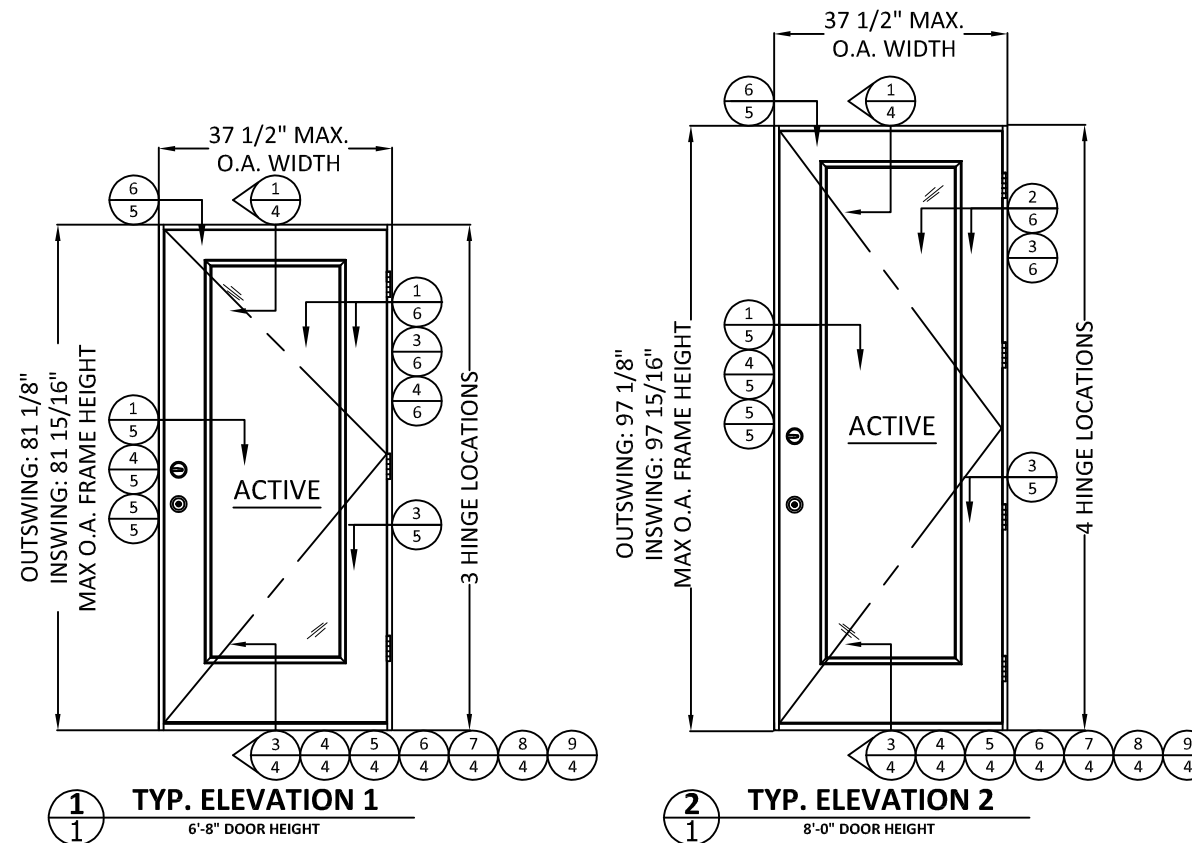
## WINDOWS & DOORS

### DESIGN PRO / SMOOTH PRO FULL LITE NON-IMPACT

FOR USE IN THE HIGH VELOCITY HURRICANE ZONE (HVHZ)

**GENERAL NOTES:**

1. THE PRODUCT SHOWN HEREIN IS DESIGNED AND MANUFACTURED TO COMPLY WITH THE CURRENT FLORIDA BUILDING CODE (FBC), INCLUDING HVHZ AND HAS BEEN EVALUATED ACCORDING TO THE FOLLOWING:
  - TAS 202-94
2. ADEQUACY OF THE EXISTING STRUCTURAL CONCRETE/MASONRY OR 2X FRAMING AS A MAIN WIND FORCE RESISTING SYSTEM CAPABLE OF WITHSTANDING AND TRANSFERRING APPLIED PRODUCT LOADS TO THE FOUNDATION IS THE RESPONSIBILITY OF THE ENGINEER OR ARCHITECT OF RECORD FOR THE PROJECT OF INSTALLATION.
3. THE INSTALLATION DETAILS DESCRIBED HEREIN ARE GENERIC AND MAY NOT REFLECT ACTUAL CONDITIONS FOR A SPECIFIC SITE. IF SITE CONDITIONS CAUSE INSTALLATION TO DEVIATE FROM THE REQUIREMENTS DETAILED HEREIN, A LICENSED ENGINEER OR ARCHITECT SHALL PREPARE SITE SPECIFIC DOCUMENTS FOR USE WITH THIS DOCUMENT.
4. APPROVED IMPACT PROTECTIVE SYSTEM **IS REQUIRED** ON THIS PRODUCT IN AREAS REQUIRING IMPACT RESISTANCE.
5. GLASS MEETS THE REQUIREMENTS OF ASTM E 1300 GLASS CHARTS. SEE SHEET 6 FOR GLAZING DETAILS.
6. FULL LITE APPROVAL COVERS USE OF FRACTIONAL GLAZING, INCLUDING INTERNAL GRID, BLINDS BETWEEN GLASS, DECORATIVE, EXTERNAL AND INTERNAL WROUGHT IRON. RADIUS (SHAPED) LITES ARE QUALIFIED FOR 6'-8" DOORS AT DP +/- 65 ONLY.
7. NOTE: AFCO H-497 SILL MEETS WATER INFILTRATION AT WATER TEST PRESSURE (WTP) OF 9.75 PSF. REMAINING SILLS NOT RATED FOR WATER INFILTRATION. IF AUTHORITY HAVING JURISDICTION REQUIRES THAT PRODUCT MEETS THIS REQUIREMENT, PRODUCT SHALL BE USED WHEN INSTALLED AT LOCATION PROTECTED BY OVERHANG SUCH THAT OVERHANG (OH) RATIO = OH LENGTH ÷ OH HEIGHT IS ≥ 1.0



NOTE:  
DOORS SHOWN ABOVE MAY BE LEFT  
OR RIGHT HAND OPERATING DOORS.

TABLE OF CONTENTS		
SHEET	REVISION	SHEET DESCRIPTION
1	B	TYPICAL ELEVATIONS, DESIGN PRESSURES, AND GENERAL NOTES
2	B	TYPICAL ANCHOR LAYOUTS AND NOTES
3	-	OPTIONAL 2X BUCK ANCHORING DETAILS
4	B	VERTICAL ASSEMBLIES
5	B	HORIZONTAL ASSEMBLIES
6	B	GLAZING DETAILS
7	B	WOOD SUBSTRATES
8	B	CONCRETE SUBSTRATES
9	B	COMPONENTS & BILL OF MATERIALS

CONFIGURATION	MAX. OVERALL NOMINAL SIZE		DESIGN PRESSURE (PSF)				MISSILE IMPACT RATING
	WIDTH	HEIGHT	INSWING		OUTSWING		
			POS.	NEG.	POS.	NEG.	
X	3'-0"	6'-8"	65*	65	65*	65	NON-IMPACT
X (VENT)	3'-0"	6'-8"	65*	65	65*	65	NON-IMPACT
X (RADIUS)	3'-0"	6'-8"	65*	65	65*	65	NON-IMPACT
X	3'-0"	8'-0"	50*	50	50*	50	NON-IMPACT

\*SEE GENERAL NOTE 7, SHEET 1, FOR WATER INFILTRATION APPROVED SILLS.

PREPARED BY:



**BUILDING DROPS, INC.**  
398 E. DANIA BEACH BLVD., STE. 338  
DANIA BEACH, FL 33004  
PH: (954)399-8478  
FAX: (954)744.4738  
WEB: www.buildingdrops.com

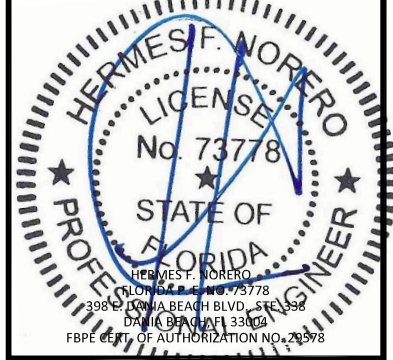
TITLE: DESIGN PRO/SMOOTH PRO FULL LITE  
NON-IMPACT  
TYPICAL ELEVATIONS, DESIGN PRESSURES, AND GENERAL NOTES

3737 LAKEPORT BLVD.,  
KLAMATH FALLS, OR 97601  
PH: (541)882-3451  
FAX: (541)850-2609



REMARKS	BY	DATE
Add Vent Lite Option	GL	5/5/14
Add ADA & Multi-Pt	GL	6/19/14
Reference DWG. #A010862E	AM	09/11/19

THE INSTALLATION DETAILS DESCRIBED HEREIN ARE GENERIC AND MAY NOT REFLECT ACTUAL CONDITIONS FOR A SPECIFIC SITE. IF SITE CONDITIONS CAUSE INSTALLATION TO DEVIATE FROM THE REQUIREMENTS DETAILED HEREIN, A LICENSED ENGINEER OR ARCHITECT SHALL PREPARE SITE SPECIFIC DOCUMENTS FOR USE WITH THIS DOCUMENT.

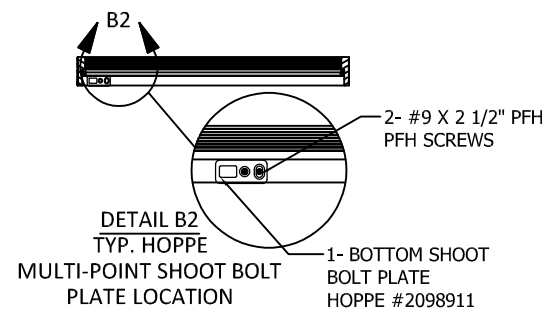


DATE: 02.05.14  
DWG. BY: SSM/TJM  
CHK. BY: MSS  
SCALE: NTS  
DWG. #: D015715  
SHEET: OF 9

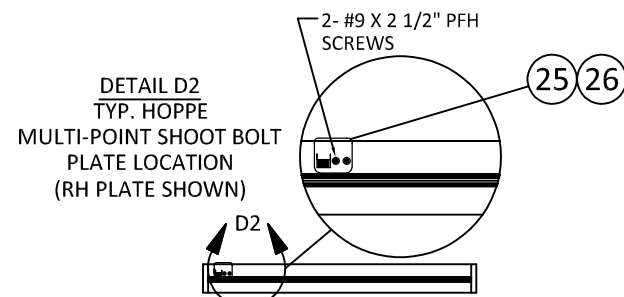
**INSTALLATION NOTES:**

- ONE (1) INSTALLATION ANCHOR IS REQUIRED AT EACH ANCHOR LOCATION SHOWN.  
SHIM AS REQUIRED AT EACH INSTALLATION ANCHOR WITH LOAD BEARING SHIM(S). MAXIMUM ALLOWABLE SHIM STACK TO BE 1/4 INCH. SHIM WHERE SPACE OF 1/16 INCH OR GREATER OCCURS. SHIM(S) SHALL BE CONSTRUCTED OF A NON-COMPRESSIBLE COMPOSITE OR BETTER.
- MINIMUM EMBEDMENT AND EDGE DISTANCE EXCLUDE WALL FINISHES, INCLUDING BUT NOT LIMITED TO STUCCO, FOAM, BRICK VENEER, AND SIDING.
- INSTALLATION ANCHORS AND ASSOCIATED HARDWARE MUST BE MADE OF CORROSION RESISTANT MATERIAL OR HAVE A CORROSION RESISTANT COATING, AND SHALL BE INSTALLED IN ACCORDANCE WITH ANCHOR MANUFACTURER'S INSTALLATION INSTRUCTIONS.
- FOR HOLLOW BLOCK AND GROUT FILLED BLOCK, DO NOT INSTALL INSTALLATION ANCHORS INTO MORTAR JOINTS. EDGE DISTANCE IS MEASURED FROM FREE EDGE OF BLOCK OR EDGE OF MORTAR JOINT INTO FACE SHELL OF BLOCK.
- FOR 2X STUD CONSTRUCTION, ANCHORING OF THESE PRODUCTS SHALL BE THE SAME AS FOR 2X BUCK CONCRETE/MASONRY CONSTRUCTION.
- INSTALLATION ANCHOR CAPACITIES FOR PRODUCTS HEREIN ARE BASED ON SUBSTRATE MATERIALS WITH THE FOLLOWING PROPERTIES:
  - WOOD - MINIMUM SPECIFIC GRAVITY OF 0.55.
  - CONCRETE -MINIMUM COMPRESSIVE STRENGTH OF 3000 PSI.
  - GROUT-FILLED CMU- UNIT STRENGTH CONFORMS TO ASTM C-90 WITH MINIMUM COMPRESSIVE STRENGTH OF 2000 PSI AND GROUT CONFORMS TO ASTM C 476, MINIMUM GROUT COMPRESSIVE STRENGTH OF 2000 PSI.
  - HOLLOW BLOCK CMU - UNIT STRENGTH CONFORMS TO ASTM C-90 WITH MINIMUM COMPRESSIVE STRENGTH OF 2000 PSI.
- SEE SHEETS 7 AND 8 FOR MORE DETAILS OF THE INSTALLATION REQUIREMENTS, INCLUDING ANCHOR LOCATIONS, EDGE DISTANCES, EMBEDMENTS, AND SHIM SPACING.
- OPTIONALLY, ANCHORS CAN BE PLACED IN NARROW SECTION OF HEAD OR JAMB AS LONG AS MINIMUM EMBEDMENT AND EDGE DISTANCE ARE ACHIEVED.

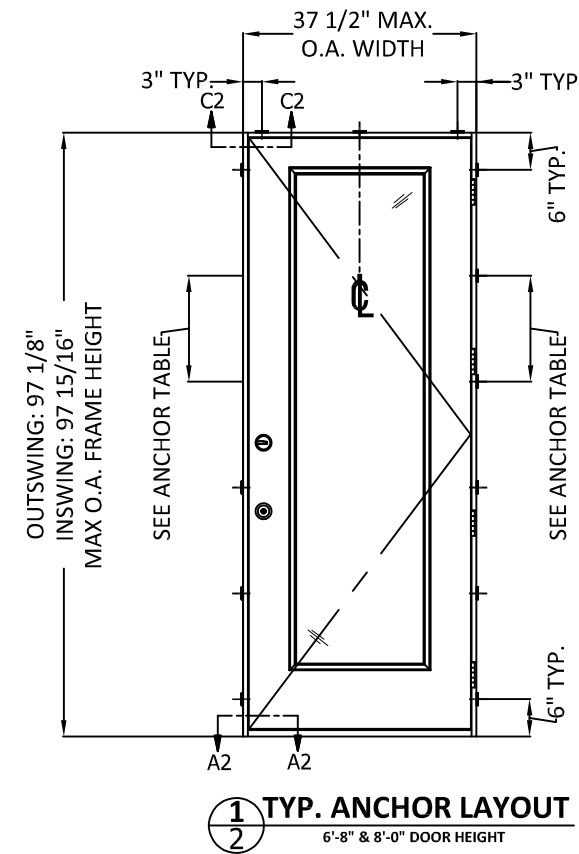
ANCHOR TABLE						
ANCHOR TYPE	ANCHOR SIZE	SUBSTRATE	MIN. EMBEDMENT	MIN. EDGE DISTANCE	6'8" DOORS	8'0" DOORS
					MAX. O.C. SPACING AT JAMBS	MAX. O.C. SPACING AT JAMBS
WOOD SCREW	#10	2X WOOD BUCK OR FRAMING	1-1/2"	3/4"	17-1/2"	17-1/4"
ITW TAPCON	3/16"	CONCRETE/CMU	1-1/4"	2-1/2"	17-1/2"	17-1/4"
ELCO ULTRACON	1/4"	CONCRETE/CMU	1-3/8" - CONC. 1-1/4" - CMU	1"	17-1/2"	17-1/4"
ITW TAPCON	3/16"	CONCRETE/CMU	1-1/4"	1"	10"	14-3/8"



**A**  
**2** SILL SECTION VIEW  
INSWING SHOWN OUTSWING SIMILAR  
SEE DETAIL B2



**C**  
**2** HEAD SECTION VIEW  
INSWING SHOWN OUTSWING SIMILAR  
SEE DETAIL D2



NOTE:  
NO ANCHORS REQUIRED AT THE SILL FOR SINGLE DOORS (X) ONLY.

NOTE:  
INACTIVE AND ACTIVE DOOR PANEL ORIENTATION IS INTERCHANGEABLE.

PREPARED BY:



**BUILDING DROPS, INC.**  
398 E. DANIA BEACH BLVD., STE. 338  
DANIA BEACH, FL 33004  
PH: (954)399-8478  
FAX: (954)744.4738  
WEB: www.buildingdrops.com

TITLE: DESIGN PRO/SMOOTH PRO FULL LITE  
NON-IMPACT

ANCHOR LAYOUTS AND NOTES

3737 LAKEPORT BLVD.,  
KLAAMATH FALLS, OR 97601  
PH: (541)882-3451  
FAX: (541)850-2609

**JELDOWEN**  
WINDOWS & DOORS

REMARKS	BY	DATE
Add Vent Lite Option	GL	5/5/14
Add ADA & Multi-Pt	GL	6/19/14
Reference DWG. #A010862E	AM	09/11/19

THE INSTALLATION DETAILS DESCRIBED HEREIN ARE GENERIC AND MAY NOT REFLECT ACTUAL CONDITIONS FOR A SPECIFIC SITE. IF SITE CONDITIONS CAUSE INSTALLATION TO DEVIATE FROM THE REQUIREMENTS DETAILED HEREIN, A LICENSED ENGINEER OR ARCHITECT SHALL PREPARE SITE SPECIFIC DOCUMENTS FOR USE WITH THIS DOCUMENT.



DATE: 02.05.14

DWG. BY: SSM/TJM | CHK. BY: MSS

SCALE: NTS

DWG. #: D015715

SHEET: OF 9

PREPARED BY:



**BUILDING DROPS, INC.**  
 398 E. DANIA BEACH BLVD., STE. 338  
 DANIA BEACH, FL 33004  
 PH: (954)399-8478  
 FAX: (954)744.4738  
 WEB: www.buildingdrops.com

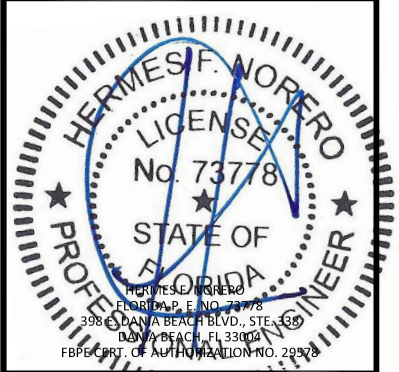
TITLE: DESIGN PRO/SMOOTH PRO FULL LITE  
 NON-IMPACT  
 OPTIONAL 2X BUCK  
 ANCHORING DETAILS

3737 LAKEPORT BLVD.,  
 KLAMATH FALLS, OR 97601  
 PH: (541)882-3451  
 FAX: (541)850-2609

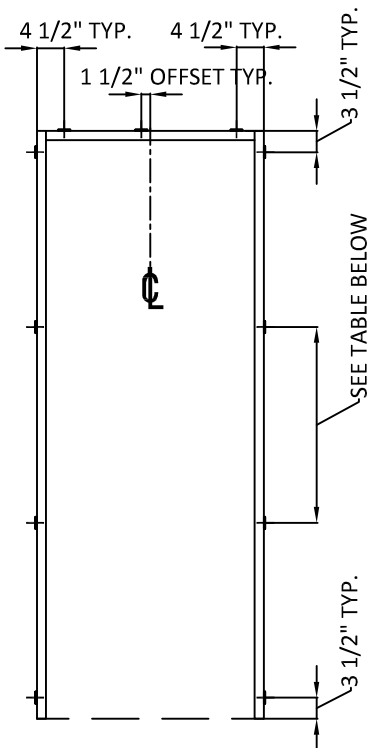


REMARKS	BY	DATE
Add Vent Lite Option	GL	5/5/14
Add ADA & Multi-Pt	GL	6/19/14
Reference DWG. #A010862E	AM	09/11/19

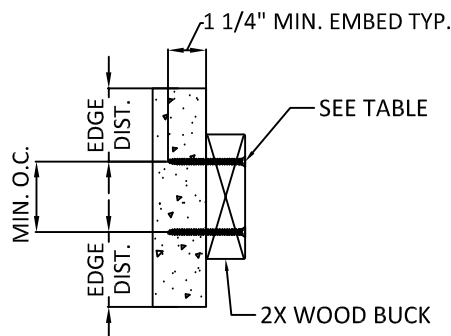
THE INSTALLATION DETAILS DESCRIBED HEREIN ARE GENERIC AND MAY NOT REFLECT ACTUAL CONDITIONS FOR A SPECIFIC SITE. IF SITE CONDITIONS CAUSE INSTALLATION TO DEVIATE FROM THE REQUIREMENTS DETAILED HEREIN, A LICENSED ENGINEER OR ARCHITECT SHALL PREPARE SITE SPECIFIC DOCUMENTS FOR USE WITH THIS DOCUMENT.



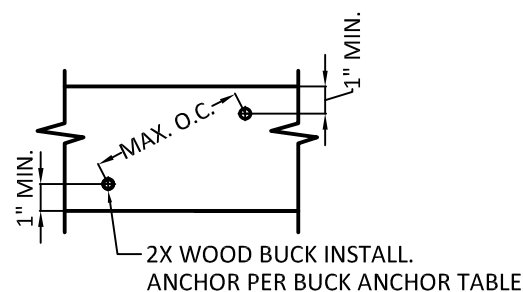
DATE:	02.05.14
DWG. BY:	SSM/TJM
CHK. BY:	MSS
SCALE:	NTS
DWG. #:	D015715
SHEET:	OF 9



1 TYP. ANCHOR LAYOUT  
 3 OPTIONAL 2X BUCK IN CONCRETE/MASONRY



3 2X WOOD BUCK INSTALL.  
 CROSS SECTION



4 2X WOOD BUCK INSTALL.  
 SIDE VIEW

2X BUCK ANCHOR TABLE							
ANCHOR TYPE	ANCHOR SIZE	SUBSTRATE	MIN. EMBEDMENT	MIN. EDGE DIST. TO SUBSTRATE	MIN. CENTER TO CENTER DISTANCE	6'8" DOORS	8'0" DOORS
						MAX. O.C. SPACING AT JAMBS	MAX. O.C. SPACING AT JAMBS
ITW TAPCON	1/4"	CONCRETE/CMU	1-1/4"	2-1/2"	4"	25"	30-1/4"
ELCO ULTRACON	1/4"	CONCRETE/CMU	1-3/8" - CONC. 1-1/4" - CMU	1"	4"	25"	30-1/4"

NOTES:

- 2X BUCK IS NOT FOR INSTALLATION AT SILL.
- ANCHORS MAY BE STAGGERED AS SHOWN IN DETAIL 4/3.

PREPARED BY:

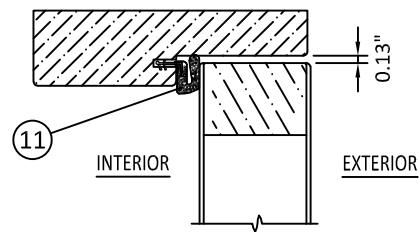


**BUILDING DROPS, INC.**  
 398 E. DANIA BEACH BLVD., STE. 338  
 DANIA BEACH, FL 33004  
 PH: (954)399-8478  
 FAX: (954)744.4738  
 WEB: www.buildingdrops.com

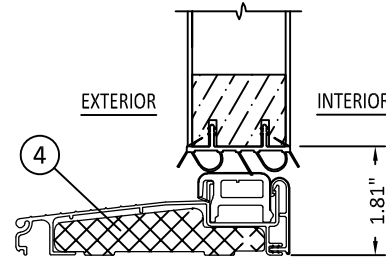
TITLE: DESIGN PRO/SMOOTH PRO FULL LITE  
 NON-IMPACT  
 VERTICAL ASSEMBLIES

3737 LAKEPORT BLVD.,  
 KLAMATH FALLS, OR 97601  
 PH: (541)882-3451  
 FAX: (541)850-2609

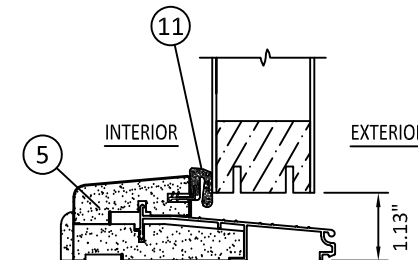
**JELD-WEN**  
 WINDOWS & DOORS



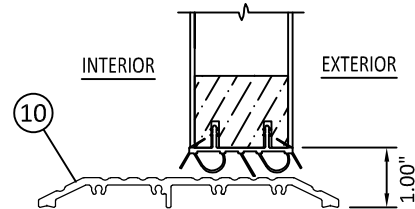
**1**  
**4** OPERABLE HEAD  
 OUTSWING SHOWN - INSWING SIMILAR



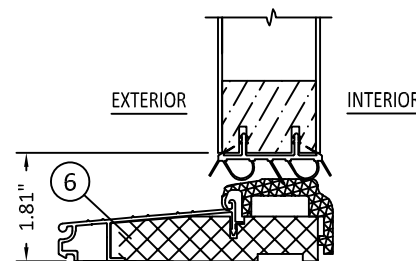
**3**  
**4** OPERABLE SILL  
 INSWING



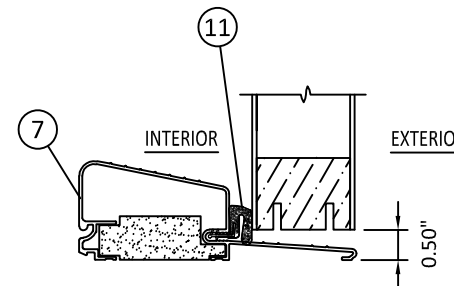
**4**  
**4** OPERABLE SILL  
 OUTSWING



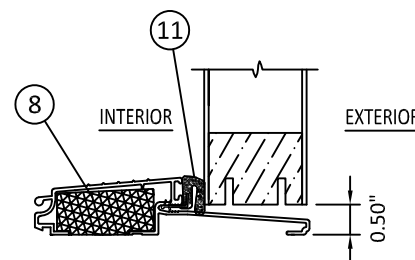
**5**  
**4** OPERABLE ADA SILL  
 INSWING/OUTSWING



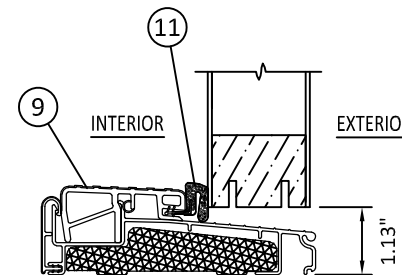
**6**  
**4** OPERABLE SILL  
 INSWING



**7**  
**4** OPERABLE SILL  
 OUTSWING  
 OPTIONAL AFCO H-497



**8**  
**4** OPERABLE SILL  
 OUTSWING



**9**  
**4** OPERABLE SILL  
 OUTSWING

REMARKS	BY	DATE
Add Vent Lite Option	GL	5/5/14
Add ADA & Multi-Pt	GL	6/19/14
Reference DWG. #A010862E	AM	09/11/19

THE INSTALLATION DETAILS DESCRIBED HEREIN ARE GENERIC AND MAY NOT REFLECT ACTUAL CONDITIONS FOR A SPECIFIC SITE. IF SITE CONDITIONS CAUSE INSTALLATION TO DEVIATE FROM THE REQUIREMENTS DETAILED HEREIN, A LICENSED ENGINEER OR ARCHITECT SHALL PREPARE SITE SPECIFIC DOCUMENTS FOR USE WITH THIS DOCUMENT.



DATE:	02.05.14
DWG. BY:	SSM/TJM
CHK. BY:	MSS
SCALE:	NTS
DWG. #:	D015715
SHEET:	OF 9

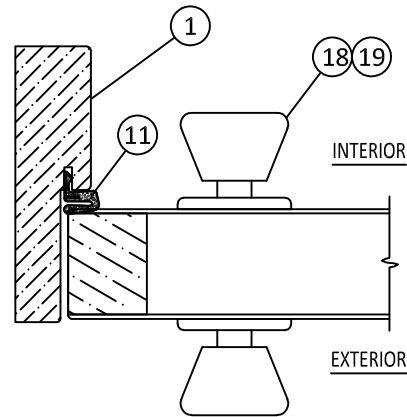
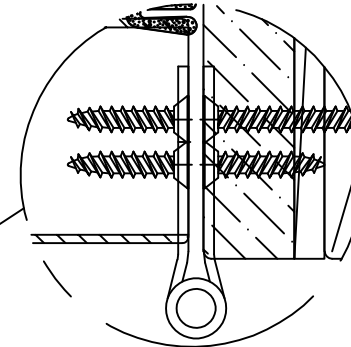
PREPARED BY:



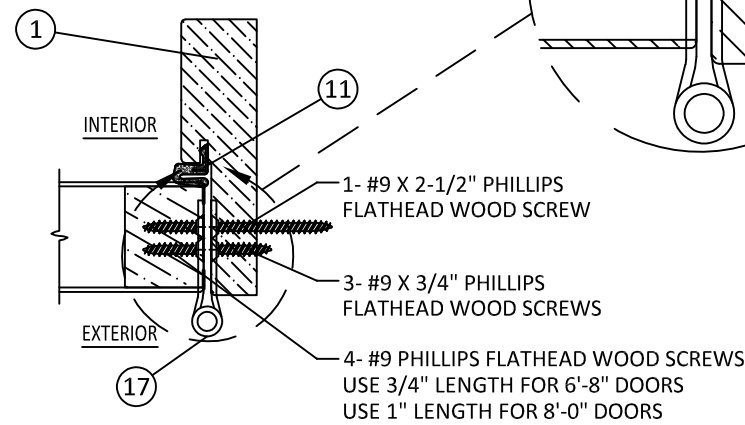
**BUILDING DROPS, INC.**  
 398 E. DANIA BEACH BLVD., STE. 338  
 DANIA BEACH, FL 33004  
 PH: (954)399-8478  
 FAX: (954)744.4738  
 WEB: www.buildingdrops.com

HINGE SCHEDULE	
DOOR HEIGHT	QUANTITY
6'-8"	3
8'-0"	4

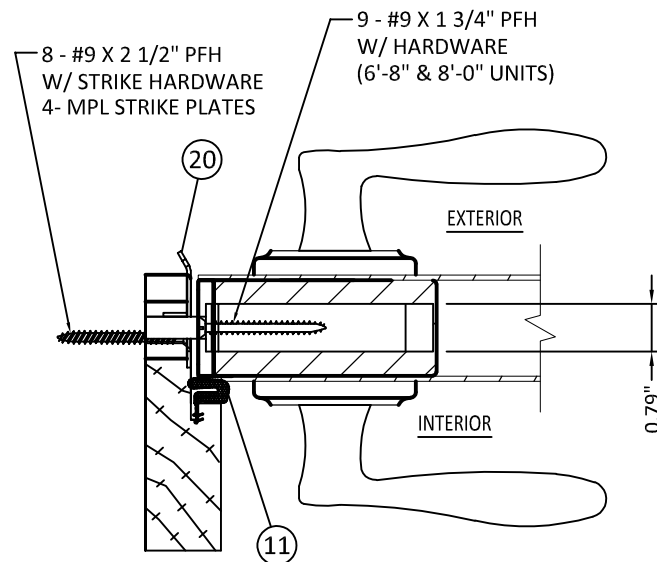
HINGE DETAIL AT JAMB:  
 PLACE #9 X 2-1/2" PFH SCREW NEXT TO WEATHERSTRIP



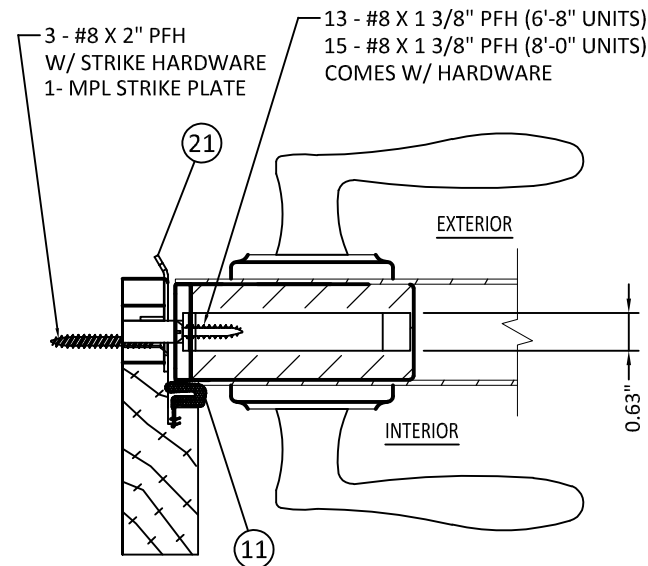
**1**  
**5** **LOCK JAMB**  
 OUTSWING SHOWN - INSWING SIMILAR



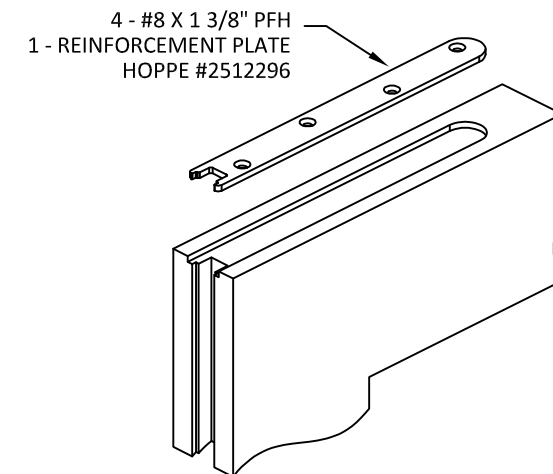
**3**  
**5** **HINGE JAMB**  
 OUTSWING SHOWN - INSWING SIMILAR



**4**  
**5** **ROCKWELL MULTI-POINT LOCK JAMB**  
 OUTSWING SHOWN - INSWING SIMILAR



**5**  
**5** **HOPPE MULTI-POINT LOCK JAMB**  
 OUTSWING SHOWN - INSWING SIMILAR



**6**  
**5** **HOPPE MULTI-POINT LOCK**  
 TOP REINFORCEMENT PLATE - ACTIVE PANEL ONLY

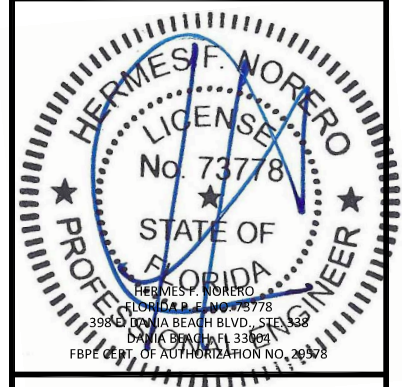
TITLE: DESIGN PRO/SMOOTH PRO FULL LITE  
 NON-IMPACT  
 HORIZONTAL ASSEMBLIES,  
 GLAZING DETAIL

3737 LAKEPORT BLVD.,  
 KLAMATH FALLS, OR 97601  
 PH: (541)882-3451  
 FAX: (541)850-2609



REMARKS	BY	DATE
Add Vent Lite Option	GL	5/5/14
Add ADA & Multi-Pt	GL	6/19/14
Reference DWG. #A010862E	AM	09/11/19

THE INSTALLATION DETAILS DESCRIBED HEREIN ARE GENERIC AND MAY NOT REFLECT ACTUAL CONDITIONS FOR A SPECIFIC SITE. IF SITE CONDITIONS CAUSE INSTALLATION TO DEVIATE FROM THE REQUIREMENTS DETAILED HEREIN, A LICENSED ENGINEER OR ARCHITECT SHALL PREPARE SITE SPECIFIC DOCUMENTS FOR USE WITH THIS DOCUMENT.



DATE: 02.05.14
DWG. BY: SSM/TJM   CHK. BY: MSS
SCALE: NTS
DWG. #: D015715
SHEET: OF 9

PREPARED BY:



**BUILDING DROPS, INC.**  
 398 E. DANIA BEACH BLVD., STE. 338  
 DANIA BEACH, FL 33004  
 PH: (954)399-8478  
 FAX: (954)744.4738  
 WEB: www.buildingdrops.com

TITLE: DESIGN PRO/SMOOTH PRO FULL LITE  
 NON-IMPACT  
 HORIZONTAL ASSEMBLIES,  
 GLAZING DETAIL

3737 LAKEPORT BLVD.,  
 KLAMATH FALLS, OR 97601  
 PH: (541)882-3451  
 FAX: (541)850-2609

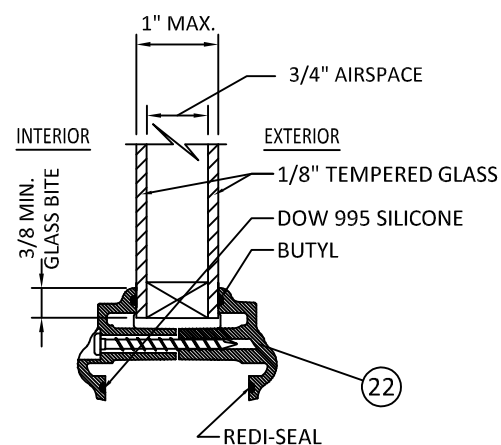


REMARKS	BY	DATE
Add Vent Lite Option	GL	5/5/14
Add ADA & Multi-Pt	GL	6/19/14
Reference DWG. #A010862E	AM	09/11/19

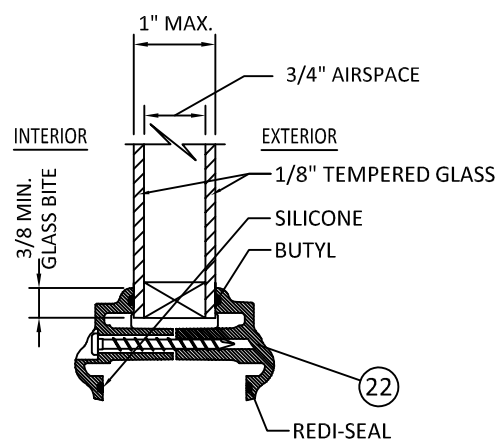
THE INSTALLATION DETAILS DESCRIBED HEREIN ARE GENERIC AND MAY NOT REFLECT ACTUAL CONDITIONS FOR A SPECIFIC SITE. IF SITE CONDITIONS CAUSE INSTALLATION TO DEVIATE FROM THE REQUIREMENTS DETAILED HEREIN, A LICENSED ENGINEER OR ARCHITECT SHALL PREPARE SITE SPECIFIC DOCUMENTS FOR USE WITH THIS DOCUMENT.



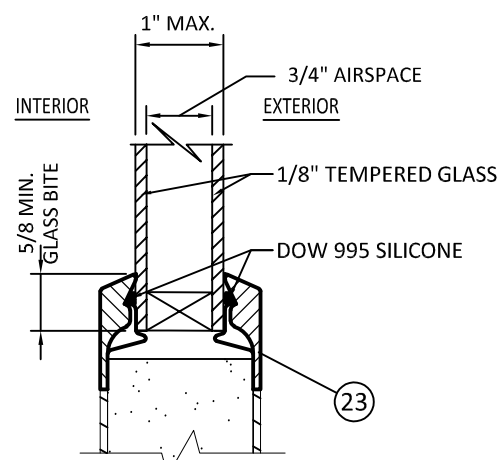
DATE:	02.05.14
DWG. BY:	SSM/TJM
CHK. BY:	MSS
SCALE:	NTS
DWG. #:	D015715
SHEET:	OF 9



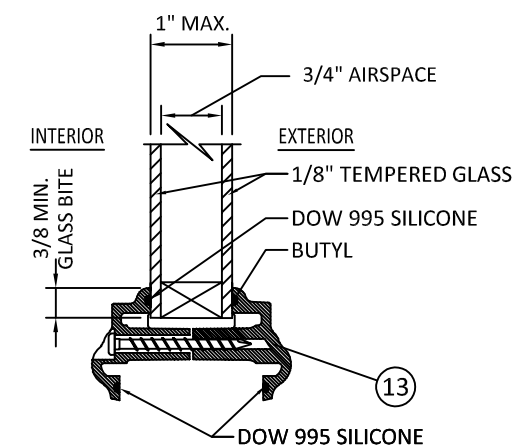
**1** **6'-8" GLAZING DETAIL**  
**6** 20 1/2" MAX. D.L.O. WIDTH  
 62 1/2" MAX. D.L.O. HEIGHT



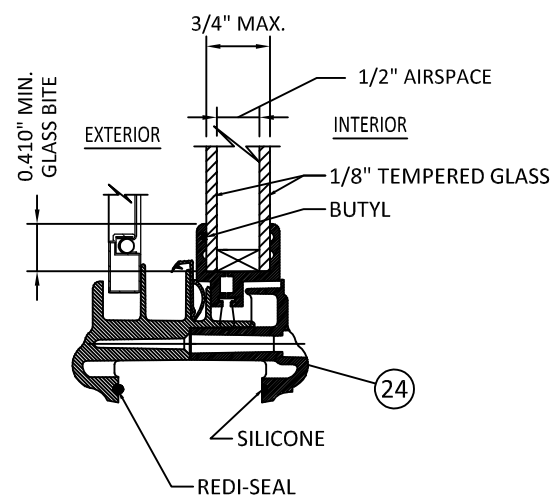
**2** **8'-0" GLAZING DETAIL**  
**6** 20 1/2" MAX. D.L.O. WIDTH  
 78 1/2" MAX. D.L.O. HEIGHT



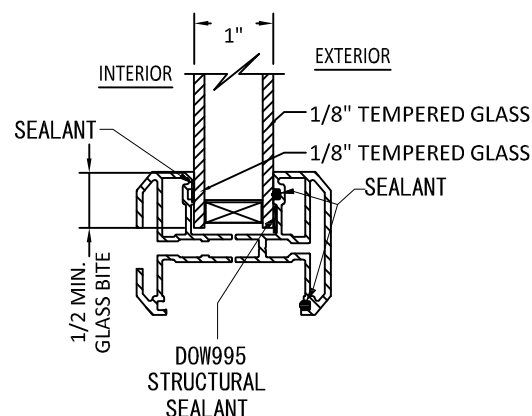
**3** **FLUSH GLAZE DETAIL**  
**6** 23 7/8" MAX. D.L.O. WIDTH  
 78 7/8" MAX. D.L.O. HEIGHT



**4** **GLAZING DETAIL**  
**6** FOR OVAL, SUNBURST, AND ROUND TOPS  
 ONLY IN 6'8" UNITS AT DP+/- 65 PSF

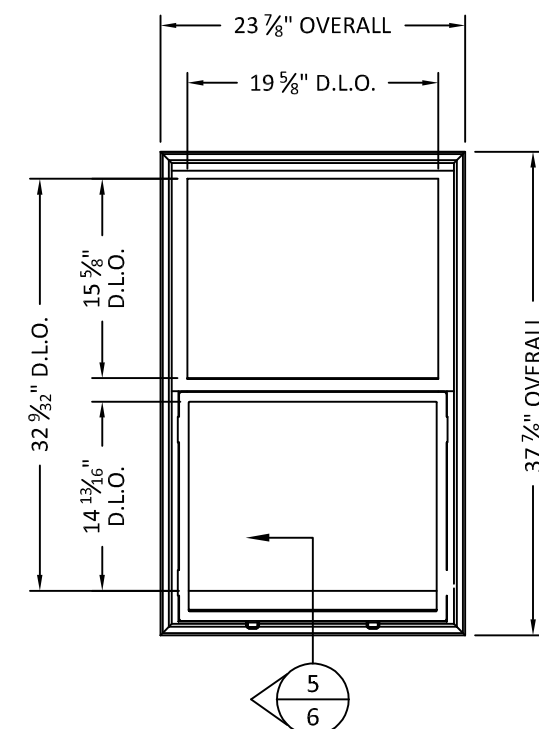


**5** **GLAZING DETAIL**  
**6** FOR HALF LITE VENT LITES  
 IN 6'8" UNITS ONLY



**6** **GLAZING DETAIL OPTION**  
**6** 20 1/2" MAX D.L.O. WIDTH  
 78 1/2" MAX D.L.O. HEIGHT  
 3-0 X 6-8 - DP 65  
 6-0 X 6-8 - DP 60  
 3-0 X 8-0 - DP 50  
 6-0 X 8-0 - DP 45

NOTE:  
 FRACTIONAL GLAZING, INCLUDING INTERNAL GRID, BLINDS BETWEEN GLASS, DECORATIVE, EXTERNAL AND INTERNAL WROUGHT IRON AND RADIUS (SHAPED) LITES ARE APPROVED IN ALL GLAZING DETAILS SHOWN ABOVE.



**24** **ODL VENT LITE ASSEMBLY**

PREPARED BY:



**BUILDING DROPS, INC.**  
398 E. DANIA BEACH BLVD., STE. 338  
DANIA BEACH, FL 33004  
PH: (954)399-8478  
FAX: (954)744.4738  
WEB: www.buildingdrops.com

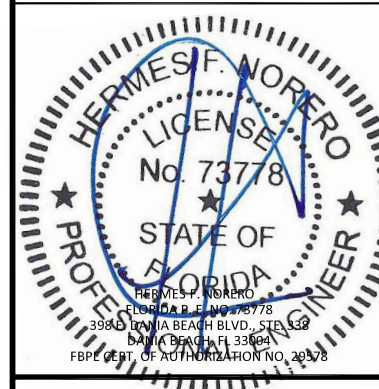
TITLE: DESIGN PRO/SMOOTH PRO FULL LITE  
NON-IMPACT  
WOOD INSTALLATION

3737 LAKEPORT BLVD.,  
KLAMATH FALLS, OR 97601  
PH: (541)882-3451  
FAX: (541)850-2609

**JELD-WEN**  
WINDOWS & DOORS

REMARKS	BY	DATE
Add Vent Lite Option	GL	5/5/14
Add ADA & Multi-Pt	GL	6/19/14
Reference DWG. #A010862E	AM	09/11/19

THE INSTALLATION DETAILS DESCRIBED HEREIN ARE GENERIC AND MAY NOT REFLECT ACTUAL CONDITIONS FOR A SPECIFIC SITE. IF SITE CONDITIONS CAUSE INSTALLATION TO DEVIATE FROM THE REQUIREMENTS DETAILED HEREIN, A LICENSED ENGINEER OR ARCHITECT SHALL PREPARE SITE SPECIFIC DOCUMENTS FOR USE WITH THIS DOCUMENT.



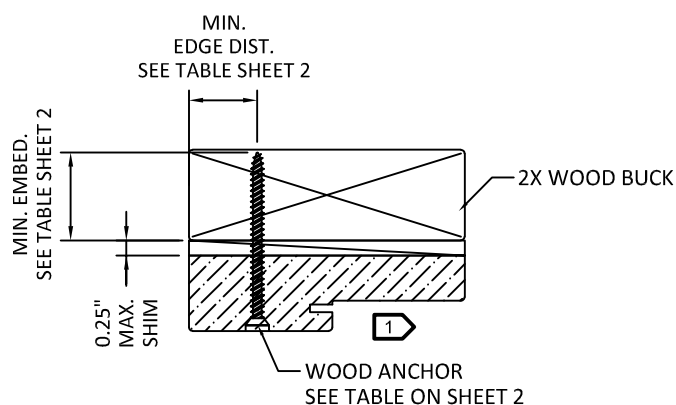
DATE: 02.05.14

DWG. BY: SSM/TJM | CHK. BY: MSS

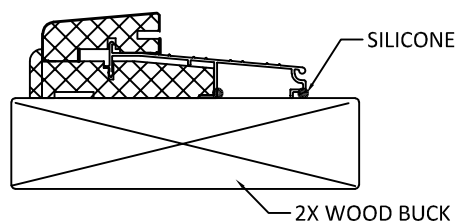
SCALE: NTS

DWG. #: D015715

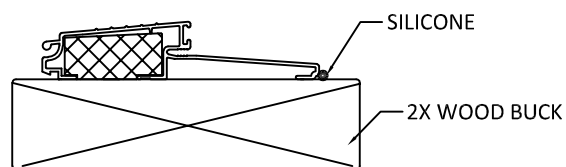
SHEET: OF 9



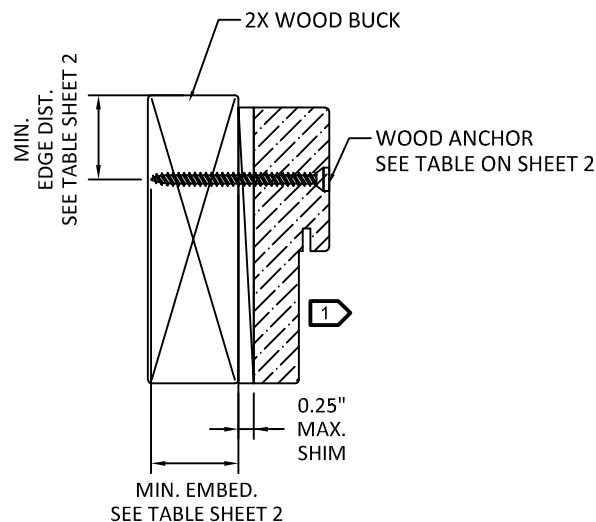
**1**  
**7** **HEAD (TYPICAL)**  
OUTSWING SHOWN - INSWING SIMILAR



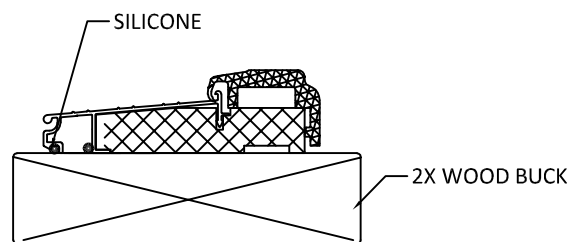
**4**  
**7** **OPERABLE SILL**  
OUTSWING - NO ANCHOR REQUIRED



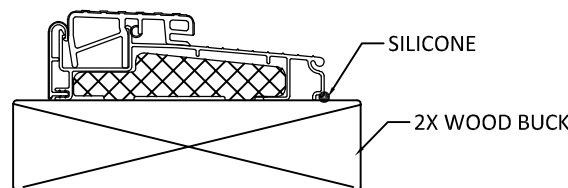
**8**  
**7** **OPERABLE SILL**  
OUTSWING - NO ANCHOR REQUIRED



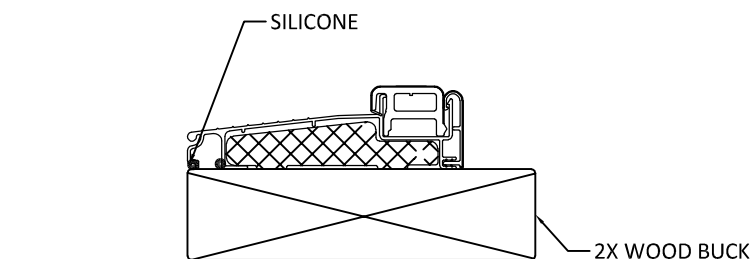
**2**  
**7** **JAMB (TYPICAL)**  
OUTSWING SHOWN - INSWING SIMILAR



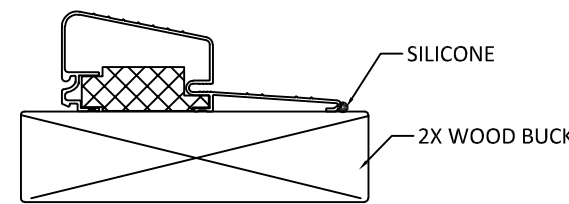
**6**  
**7** **OPERABLE SILL**  
INSWING - NO ANCHOR REQUIRED



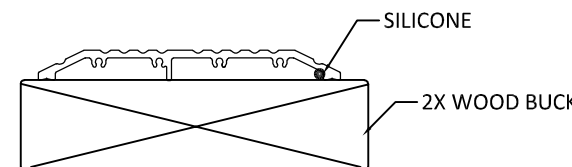
**9**  
**7** **OPERABLE SILL**  
OUTSWING - NO ANCHOR REQUIRED



**3**  
**7** **OPERABLE SILL**  
INSWING - NO ANCHOR REQUIRED



**7**  
**7** **OPERABLE SILL**  
OUTSWING - NO ANCHOR REQUIRED  
AFCO H-497



**10**  
**7** **OPERABLE ADA SILL**  
INSWING/OUTSWING - NO ANCHOR REQUIRED

1 OPTIONALLY, ANCHOR CAN BE PLACED IN NARROW SECTION OF HEAD OR JAMB AS LONG AS MINIMUM EMBEDMENT AND EDGE DISTANCE ARE ACHIEVED.

PREPARED BY:

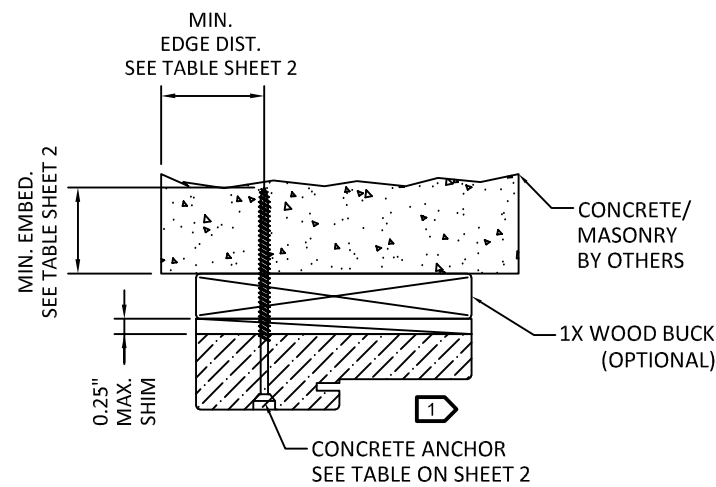


**BUILDING DROPS, INC.**  
 398 E. DANIA BEACH BLVD., STE. 338  
 DANIA BEACH, FL 33004  
 PH: (954)399-8478  
 FAX: (954)744.4738  
 WEB: www.buildingdrops.com

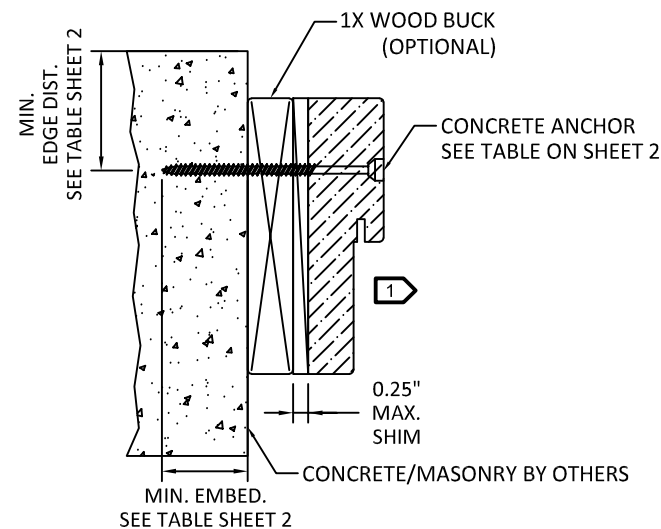
TITLE: DESIGN PRO/SMOOTH PRO FULL LITE  
 NON-IMPACT  
 CONCRETE INSTALLATION

3737 LAKEPORT BLVD.,  
 KLAMATH FALLS, OR 97601  
 PH: (541)882-3451  
 FAX: (541)850-2609

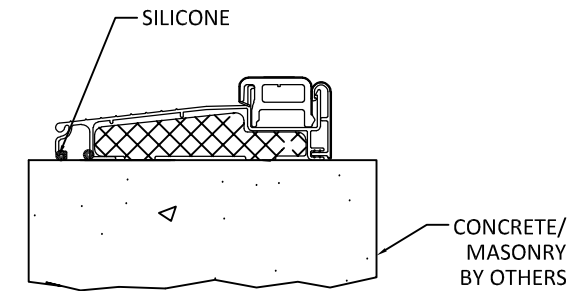
**JELD-WEN**  
 WINDOWS & DOORS



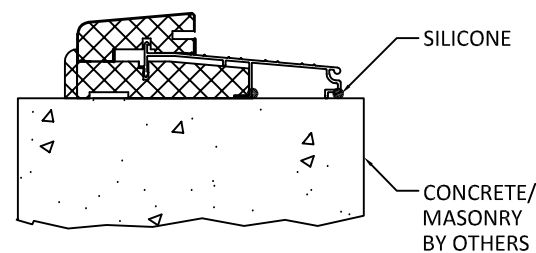
**1**  
**8** HEAD (TYPICAL)  
 OUTSWING SHOWN - INSWING SIMILAR



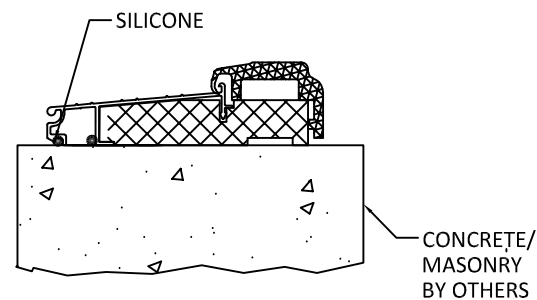
**2**  
**8** JAMB (TYPICAL)  
 OUTSWING SHOWN - INSWING SIMILAR



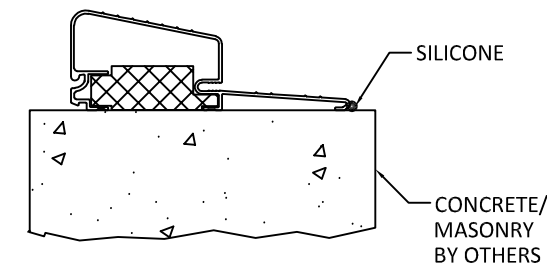
**3**  
**8** OPERABLE SILL  
 INSWING - NO ANCHOR REQUIRED



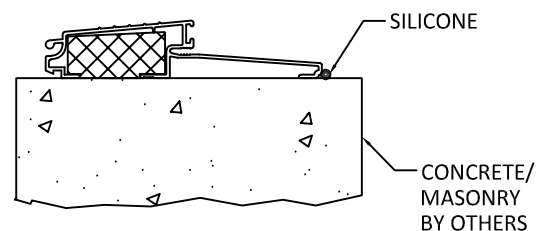
**4**  
**8** OPERABLE SILL  
 OUTSWING - NO ANCHOR REQUIRED



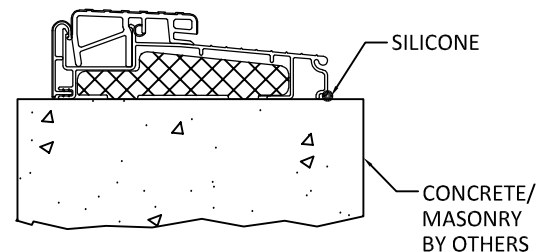
**6**  
**8** OPERABLE SILL  
 INSWING - NO ANCHOR REQUIRED



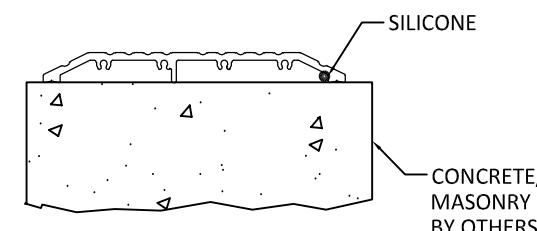
**7**  
**8** OPERABLE SILL  
 OUTSWING - NO ANCHOR REQUIRED  
 AFCO H-497



**8**  
**8** OPERABLE SILL  
 OUTSWING - NO ANCHOR REQUIRED



**9**  
**8** OPERABLE SILL  
 OUTSWING - NO ANCHOR REQUIRED

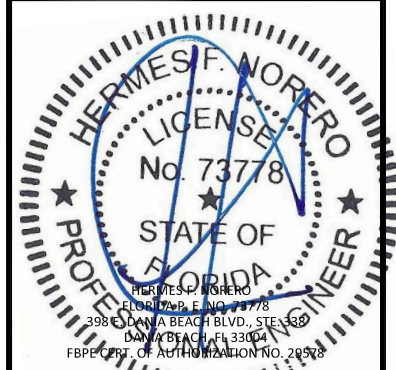


**10**  
**8** OPERABLE SILL  
 OUTSWING/INSWING - NO ANCHOR REQUIRED

1 OPTIONALLY, ANCHOR CAN BE PLACED IN NARROW SECTION OF HEAD OR JAMB AS LONG AS MINIMUM EMBEDMENT AND EDGE DISTANCE ARE ACHIEVED.

REMARKS	BY	DATE
Add Vent Lite Option	GL	5/5/14
Add ADA & Multi-Pt	GL	6/19/14
Reference DWG. #A010862E	AM	09/11/19

THE INSTALLATION DETAILS DESCRIBED HEREIN ARE GENERIC AND MAY NOT REFLECT ACTUAL CONDITIONS FOR A SPECIFIC SITE. IF SITE CONDITIONS CAUSE INSTALLATION TO DEVIATE FROM THE REQUIREMENTS DETAILED HEREIN, A LICENSED ENGINEER OR ARCHITECT SHALL PREPARE SITE SPECIFIC DOCUMENTS FOR USE WITH THIS DOCUMENT.

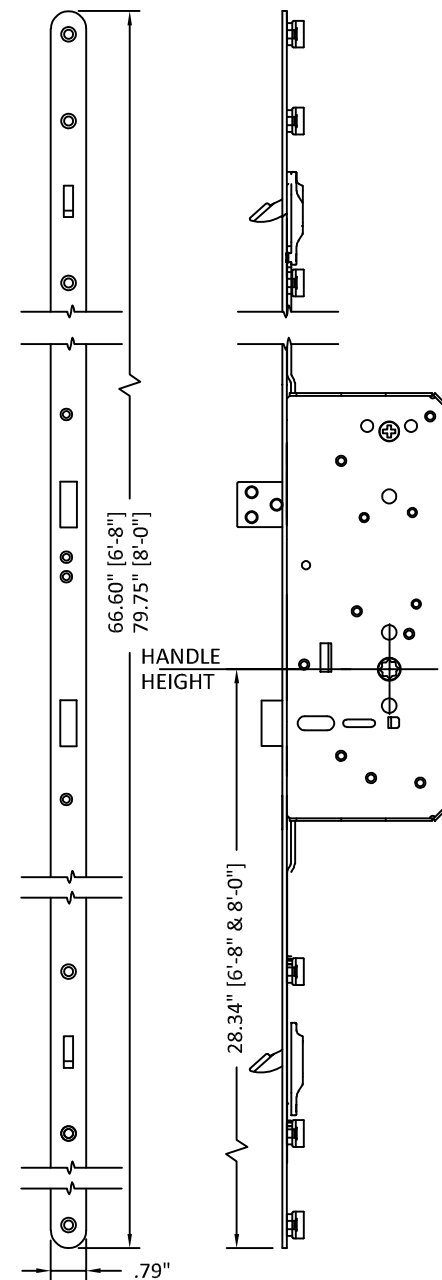


DATE:	02.05.14
DWG. BY:	SSM/TJM
CHK. BY:	MSS
SCALE:	NTS
DWG. #:	D015715
SHEET:	OF 9

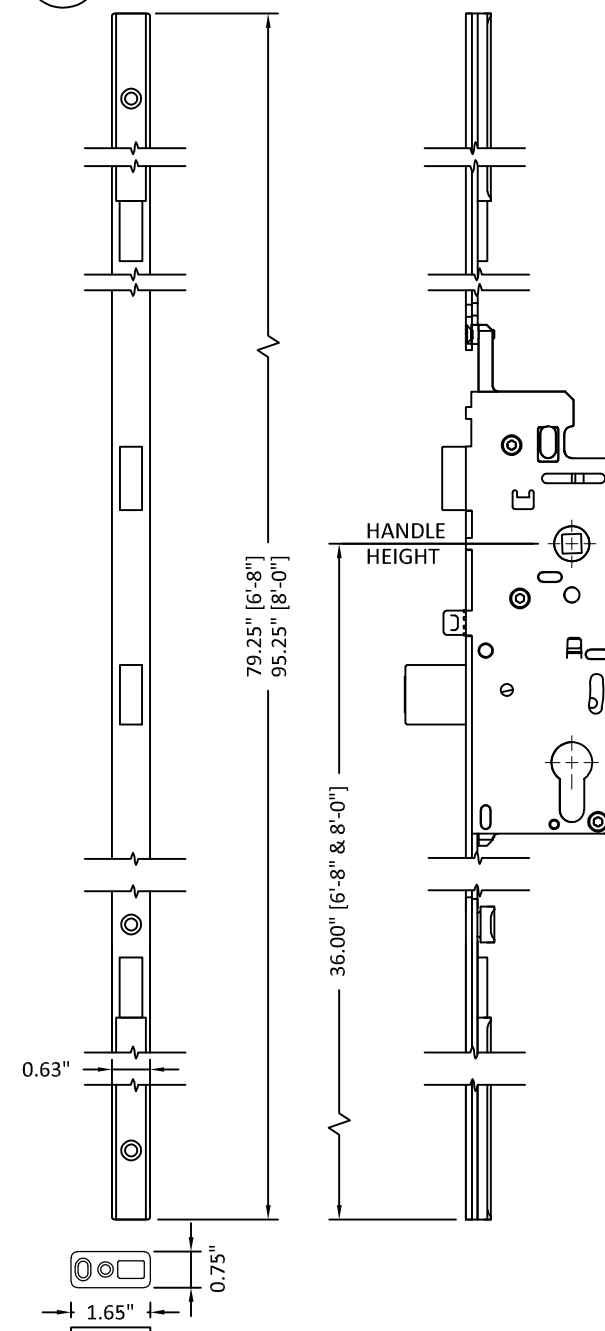


BILL OF MATERIALS		
ITEM#	DESCRIPTION	MATERIAL
1	FRAME HEAD/JAMBS	FINGER-JOINTED PINE
		SOLID PINE
		LAMINATED VENEER LUMBER
		COMPOSITE
2	(NOT USED)	-
3	(NOT USED)	-
4	THRESHOLD	-
5	THRESHOLD	-
6	THRESHOLD	-
7	AFCO H-497 THRESHOLD	-
8	THRESHOLD	-
9	THRESHOLD	-
10	ADA THRESHOLD	-
11	WEATHERSTRIP	URETHANE FOAM & POLYETHYLENE
12	NON-COMPRESSION SHIM (0.25" MAX. THK.)	COMPOSITE
13	ODL LIPLITE KIT (RADIUS LITES)	HP POLYPRO./PC ABS
14	(NOT USED)	-
15	#10 WOOD INSTALLATION SCREW W/ 1 1/2" MIN. EMBEDMENT	STEEL
16	CONC./CMU ANCHOR (SEE ANCHOR TABLE SHEETS 2 & 3)	STEEL
17	BUTT HINGE (SEE SCHEDULE SHEET 5)	STEEL
18	LOCK SERIES 400	STEEL
19	DEADBOLT SERIES 780	STEEL
20	ROCKWELL MULTI-POINT TONGUE LATCH # 73228768 6-8 UNIT	STEEL
	ROCKWELL MULTI-POINT TONGUE LATCH #73228780 8-0 UNIT	
21	HOPPE MULTI-POINT HARDWARE HLS9000	STEEL
22	ODL LIPLITE KIT (NI)	HP POLYPRO./PC ABS
23	FLUSH GLAZING LEG	FIBERGLASS
24	ODL LIPLITE KIT (VENT LITES)	HP POLYPROPYLENE
25	HOPPE MULTI-POINT HEAD SHOOT BOLT PLATE LH #8784091	STEEL
26	HOPPE MULTI-POINT HEAD SHOOT BOLT PLATE RH #8783923	STEEL
27	PU DOOR CORE	

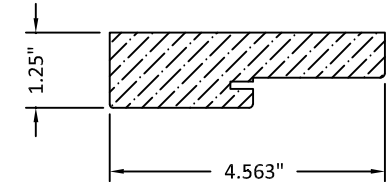
20 ROCKWELL MULTI-POINT LOCK



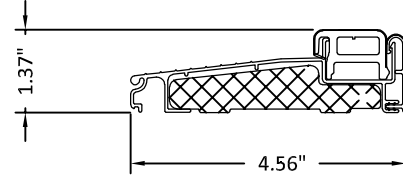
21 HOPPE MULTI-POINT LOCK W/ SILL SHOOT BOLT PLATE #2098911



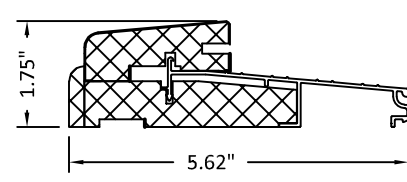
1 FRAME HEAD/JAMBS VARIES, SEE BOM ABOVE



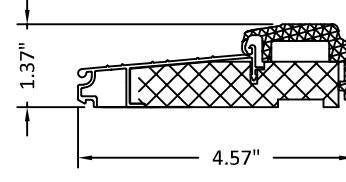
4 THRESHOLD



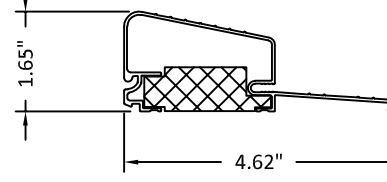
5 THRESHOLD



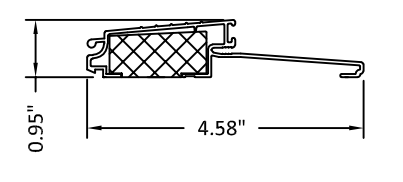
6 THRESHOLD



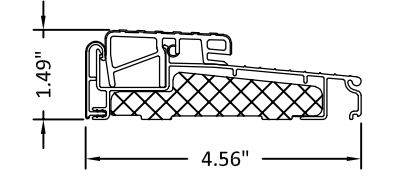
7 AFCO H-497 THRESHOLD



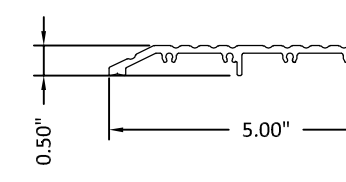
8 THRESHOLD



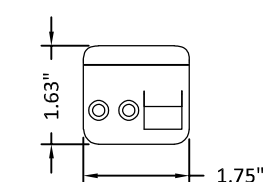
9 THRESHOLD



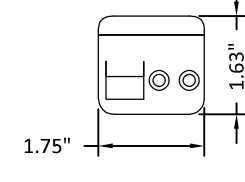
10 THRESHOLD



25 HEAD SHOOT BOLT PLATE (LH)



26 HEAD SHOOT BOLT PLATE (RH)

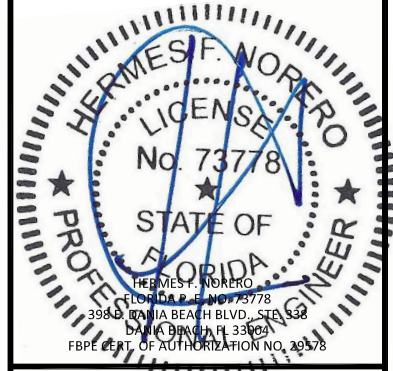


PREPARED BY:  
  
**BUILDING DROPS, INC.**  
 398 E. DANIA BEACH BLVD., STE. 338  
 DANIA BEACH, FL 33004  
 PH: (954)399-8478  
 FAX: (954)744.4738  
 WEB: www.buildingdrops.com

TITLE: DESIGN PRO/SMOOTH PRO FULL LITE NON-IMPACT COMPONENTS AND BILL OF MATERIALS  
 3737 LAKEPORT BLVD., KLAMATH FALLS, OR 97601  
 PH: (541)882-3451  
 FAX: (541)850-2609  


REMARKS	BY	DATE
Add Vent Lite Option	GL	5/5/14
Add ADA & Multi-Pt	GL	6/19/14
Reference DWG. #A010862E	AM	09/11/19

THE INSTALLATION DETAILS DESCRIBED HEREIN ARE GENERIC AND MAY NOT REFLECT ACTUAL CONDITIONS FOR A SPECIFIC SITE. IF SITE CONDITIONS CAUSE INSTALLATION TO DEVIATE FROM THE REQUIREMENTS DETAILED HEREIN, A LICENSED ENGINEER OR ARCHITECT SHALL PREPARE SITE SPECIFIC DOCUMENTS FOR USE WITH THIS DOCUMENT.



DATE: 02.05.14  
 DWG. BY: SSM/TJM | CHK. BY: MSS  
 SCALE: NTS  
 DWG. #: D015715  
 SHEET: OF 9